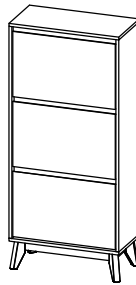


**CODING**  
- 372068



ISO 9001:2015  
Reg. No. 07035-1-MY-1-QMS

nuhoom.com

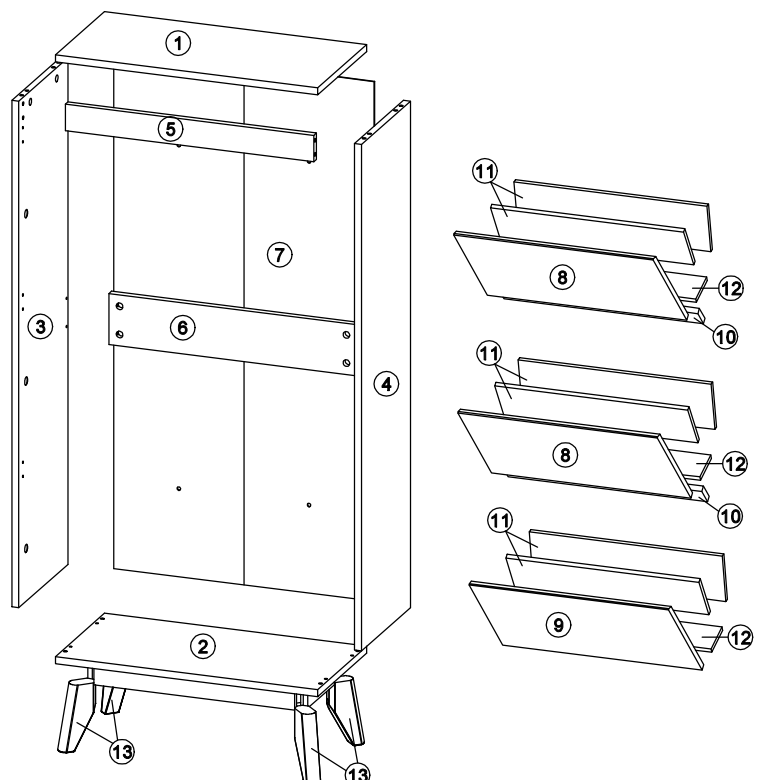
Read the instructions carefully. Remove all the wrappings, staples and straps from the carton. Refer to the hardware and furniture part list for guidance. Make sure that you have all the parts before you start assembling. Place all the wooden furniture parts on a clean, flat and soft surface, such as a carpet or rubbermat to prevent scratches.

CAUTION  
KEEP ALL THE PARTS OUT OF CHILDREN'S REACH.

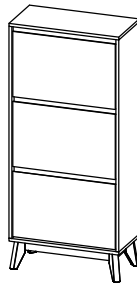
| PART LIST |                   | QTY   |
|-----------|-------------------|-------|
| 1         | TOP PANEL         | 1 PC  |
| 2         | BOTTOM PANEL      | 1 PC  |
| 3         | SIDE PANEL (L)    | 1 PC  |
| 4         | SIDE PANEL (R)    | 1 PC  |
| 5         | BONE PANEL        | 1 PC  |
| 6         | BACK SUPPORT      | 1 PC  |
| 7         | BACK PANEL        | 1 PC  |
| 8         | DOOR PANEL (UP)   | 2 PCS |
| 9         | DOOR PANEL (DOWN) | 1 PC  |
| 10        | DOOR BONE         | 2 PCS |
| 11        | MIDDLE PANEL      | 6 PCS |
| 12        | MIDDLE BOTTOM     | 3 PCS |
| 13        | CABINET LEG       | 4 PCS |

| HARDWARE |                              |                    |        |
|----------|------------------------------|--------------------|--------|
| A        | MINI FIX                     | A1  A2  A3         | 8 SETS |
| B        | M8 X 30MM WOOD DOWEL         |                    | 12 PCS |
| C        | M8 X 25MM WOOD DOWEL         |                    | 4 PCS  |
| D        | M6 X 50MM CSK CAP WOOD SCREW |                    | 4 PCS  |
| E        | ALLEN KEY M4                 |                    | 1 PC   |
| F        | M3 X 12MM C.B SCREW          |                    | 18 PCS |
| G        | M3.5 X 16MM C.B SCREW        |                    | 18 PCS |
| H        | M4 X 20MM C.B SCREW          |                    | 12 PCS |
| I        | 5/8 NAIL                     |                    | 24 PCS |
| J        | JCBC SCREW M6 X 70MM         |                    | 8 PCS  |
| K        | SPRING WASHER M6             |                    | 8 PCS  |
| L        | FLAT WASHER M6               |                    | 8 PCS  |
| M        | STOPPER(2 PIN)               |                    | 6 PCS  |
| N        | 2 TRAY SHOE RACK 195MM       | N1  N2  N3         | 3 SETS |
| O        | TIPPING PACK WITHOUT AI      | O1  O2  O3  O4  O5 | 2 SETS |

| SELF-PREPARED TOOLS: Tools below are NOT included in package. |        |
|---|--------|
| SCREWDRIVER   | HAMMER |



**CODING**  
- 372068

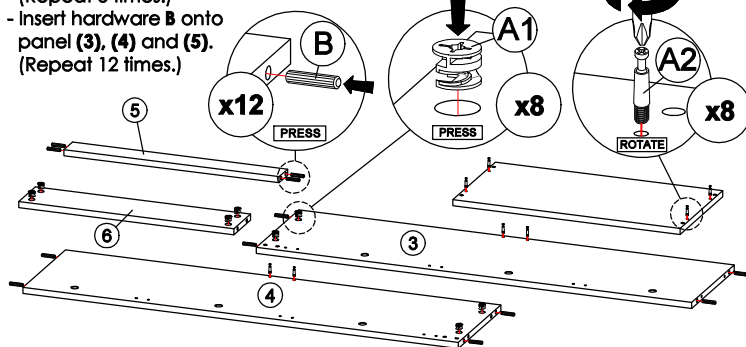


ISO 9001:2015  
Reg. No. 000435-1-MY-1-QMS

nuhoom.com

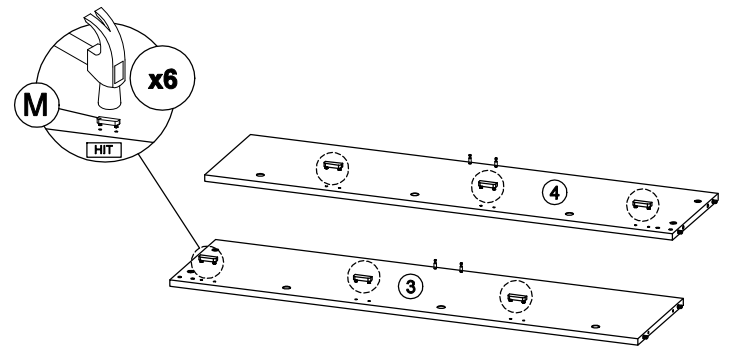
**STEP 1**

- Insert hardware **A1** onto panel (3), (4) and (6). (Repeat 8 times.)
- Insert hardware **A2** onto panel (1), (3) and (4). (Repeat 8 times.)
- Insert hardware **B** onto panel (3), (4) and (5). (Repeat 12 times.)



**STEP 2**

- Hit hardware **M** onto panel (3) and (4). (Repeat 6 times.)



\* Ensure the arrows on hardware **A1** point towards mounting positions.

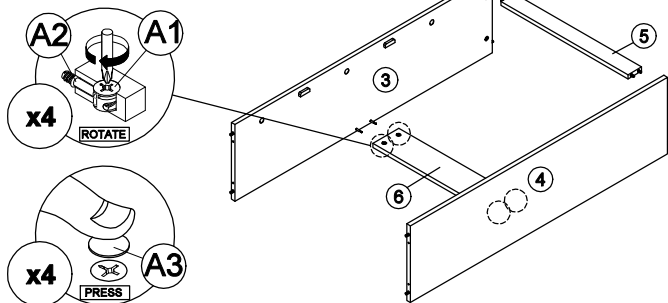
\* In this step hardware **A1**, **A2** and **B** are pre-inserted.

**STEP 3**

- Attach panel (3) and (4) to panel (5) and (6).
- Insert all hardware **A2** into **A1**.
- Rotate all **A1** until tight.
- Apply **A3** onto all **A1**. (Repeat 4 times.)



OR



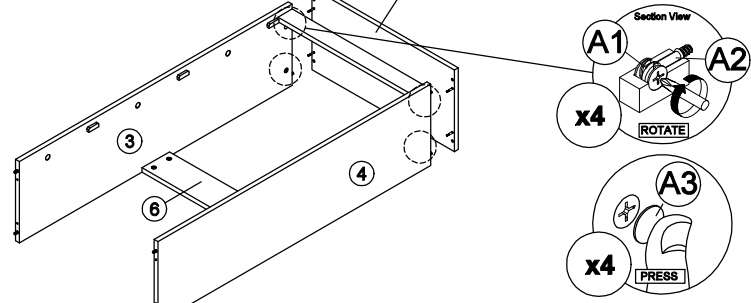
\* In this step hardware **A1**, **A2** and **B** are pre-inserted.

**STEP 4**

- Attach panel (1) to panel (3) and (4).
- Insert all hardware **A2** into **A1**.
- Rotate all **A1** until tight.
- Apply **A3** onto all **A1**. (Repeat 4 times.)



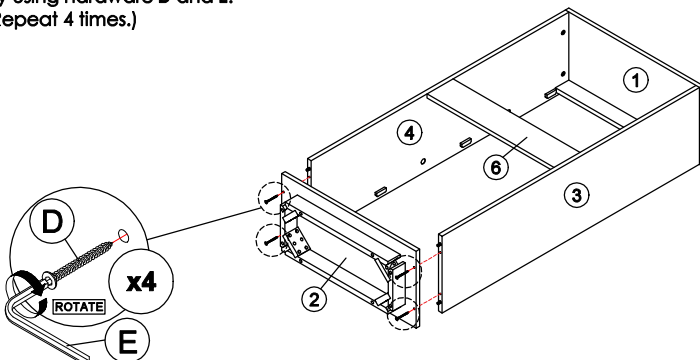
OR



\* In this step hardware **A1**, **A2** and **B** are pre-inserted.

**STEP 5**

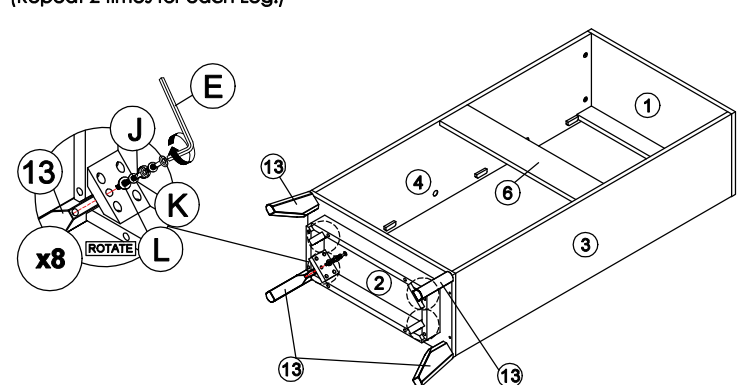
- Connect panel (2) to panel (3) and (4) by using hardware **D** and **E**. (Repeat 4 times.)



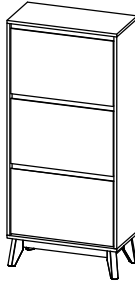
\* In this step hardware **B** are pre-inserted.

**STEP 6**

- Assemble part **13** into panel (2) by using hardware **E**, **J**, **K** and **L**. (Repeat 2 times for each Leg.)



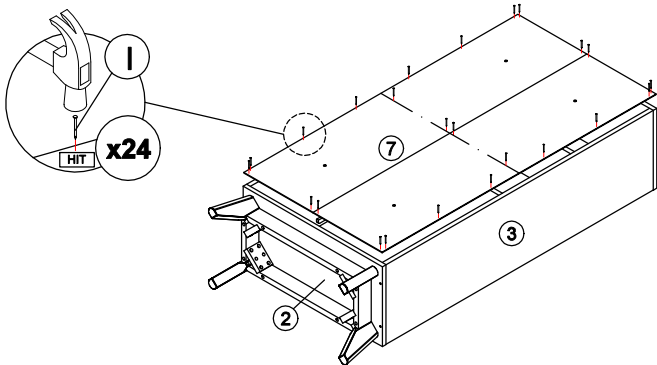
**CODING**  
- 372068



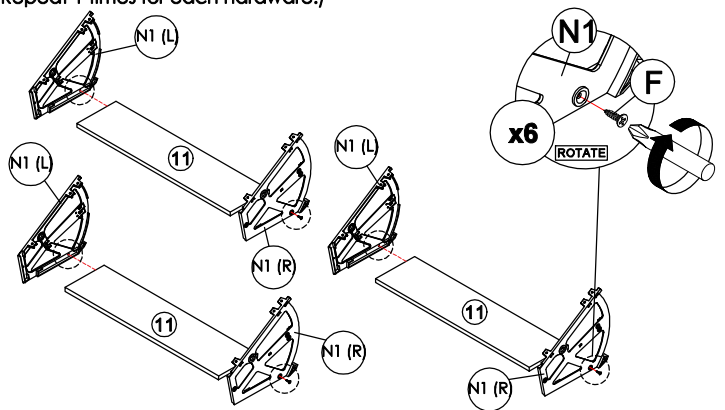
ISO 9001:2015  
Reg. No. 000435-1-MY-1-QMS

nuhoom.com

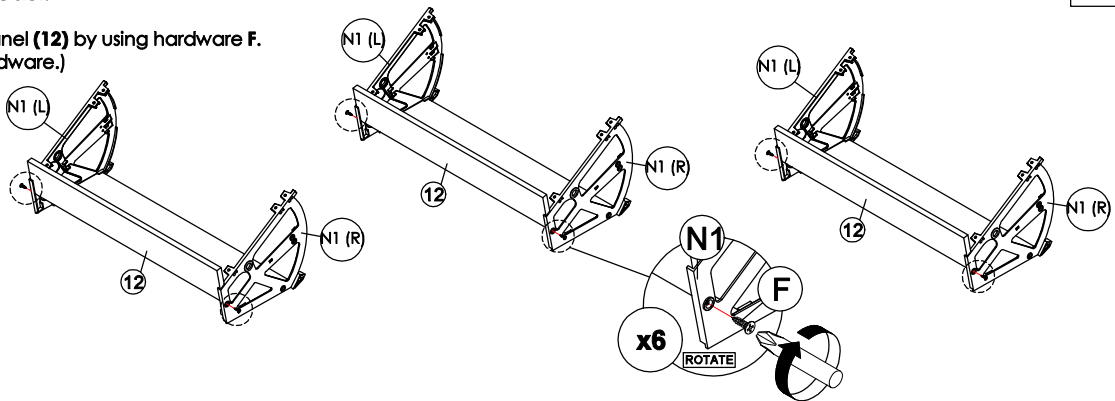
**STEP 7**  
Assemble panel (7) to entire body with hardware I.  
(Repeat 24 times.)



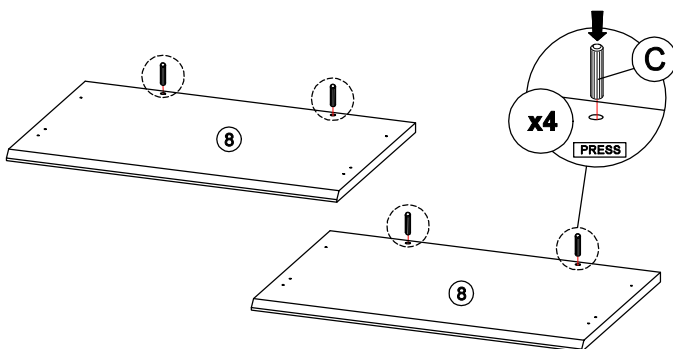
**STEP 8**  
Fix hardware N1 (L/R) onto panel (11) by using hardware F.  
(Repeat 1 times for each hardware.)



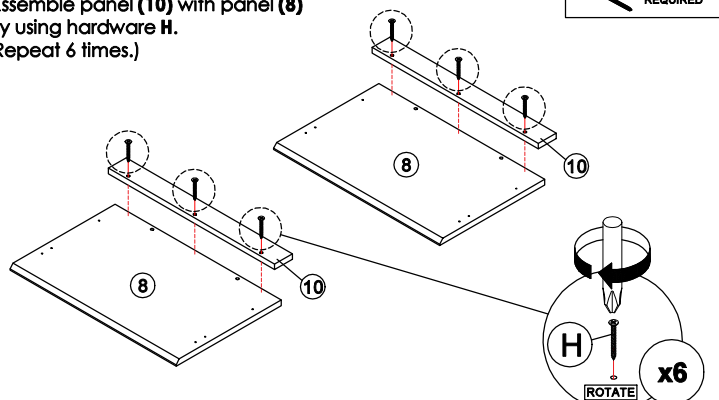
**STEP 9**  
- Insert the panel (12) along the slot.  
(Repeat 3 times.)  
- Fix hardware N1 (L/R) onto panel (12) by using hardware F.  
(Repeat 1 times for each hardware.)



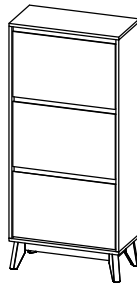
**STEP 10**  
Insert hardware C onto panel (8).  
(Repeat 4 times.)



**STEP 11**  
Assemble panel (10) with panel (8)  
by using hardware H.  
(Repeat 6 times.)



**CODING**  
- 372068



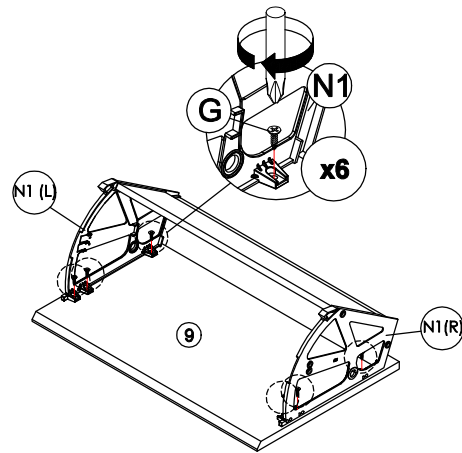
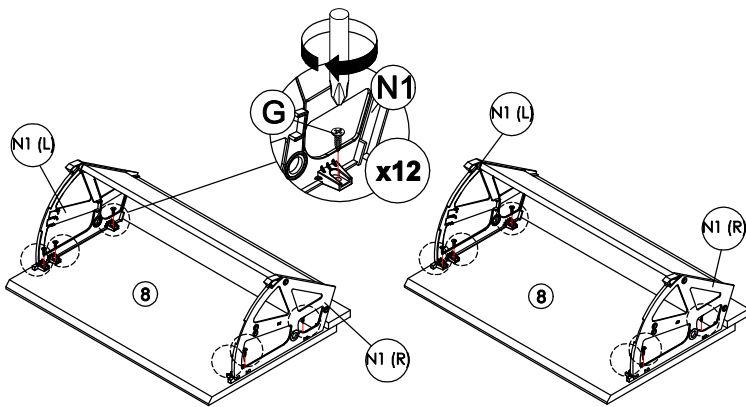
ISO 9001:2015  
Reg. No. 000435-1-MY-1-QMS

nuhoom.com

**STEP 12**  
Fix hardware **N1 (L/R)** onto panel **(8)** by using hardware **G**.  
(Repeat 3 times for each hardware.)



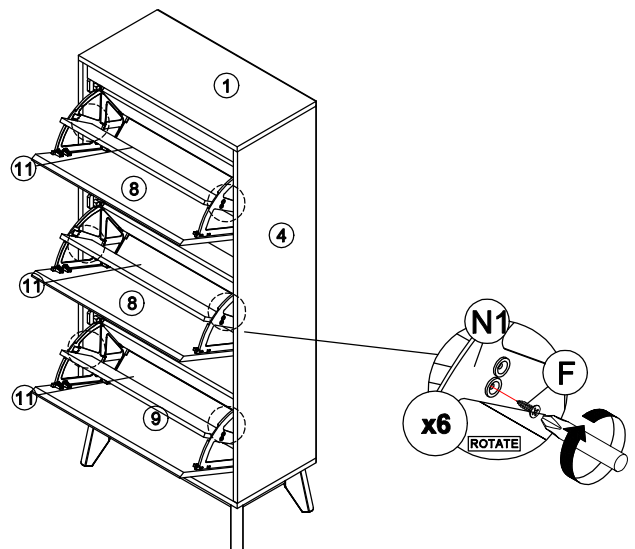
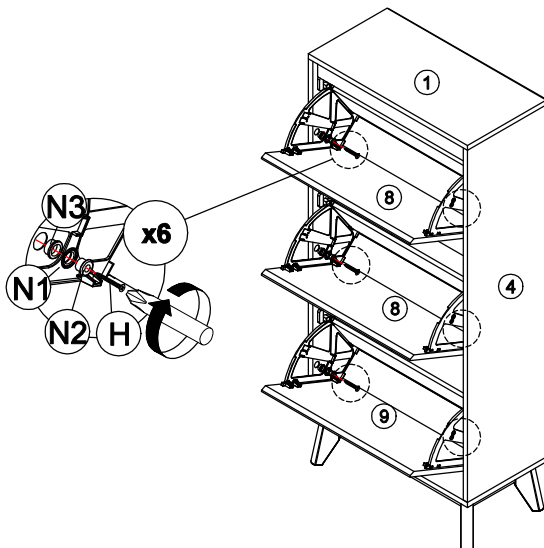
**STEP 13**  
Fix hardware **N1 (L/R)** onto panel **(9)** by using hardware **G**.  
(Repeat 3 times for each hardware.)



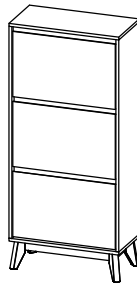
**STEP 14**  
Assemble hardware **N1 (L/R)** into panel **(3)** and **(4)**  
by using hardware **H**, **N2** and **N3**.  
(Repeat 1 times for each hardware .)



**STEP 15**  
- Insert the panel **(11)** along the slot.  
(Repeat 2 times.)  
- Fix hardware **N1 (L/R)** onto panel **(11)** by using hardware **F**.  
(Repeat 1 times for each hardware.)



**CODING**  
- 372068

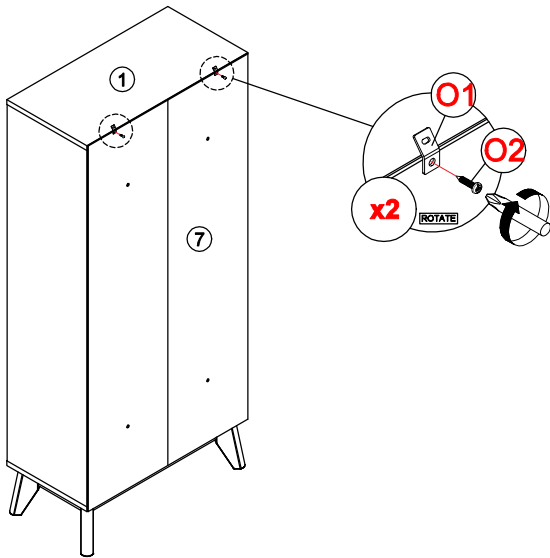


ISO 9001:2015  
Reg. No. 000435-1-MY-1-QMS

nuhoom.com

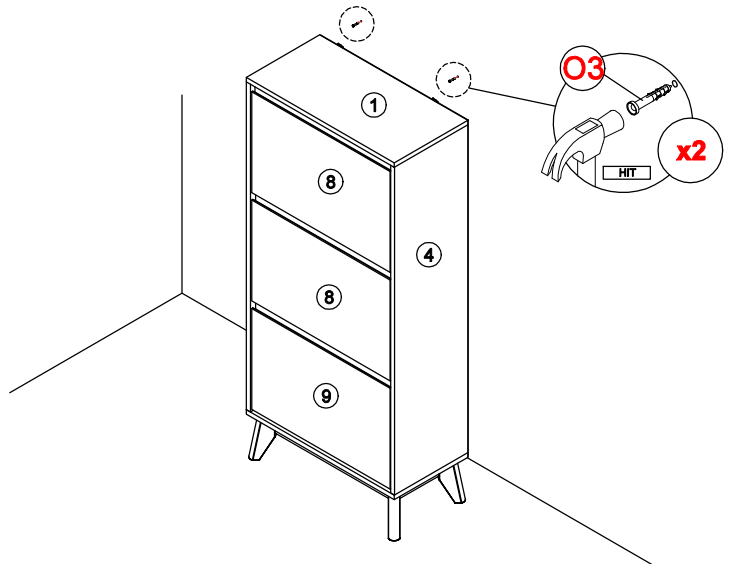
**STEP 16**

Assemble hardware **01** into panel **(1)** and **(7)** by using hardware **02**.  
(Repeat **2** times.)



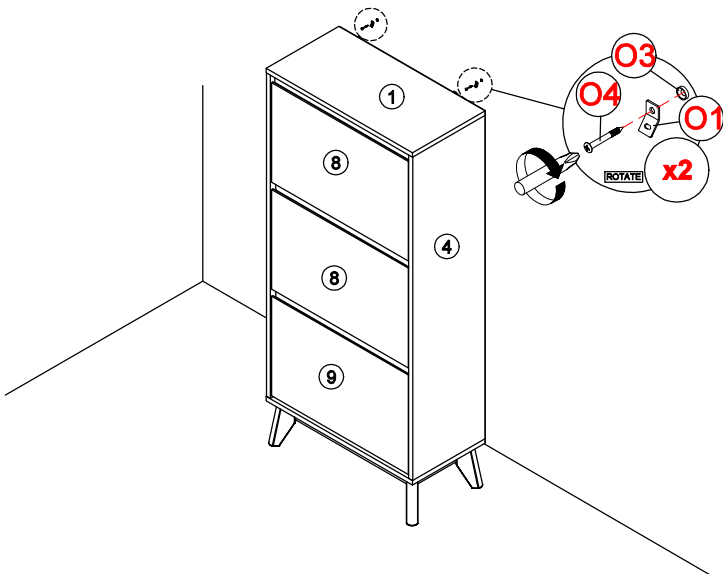
**STEP 17**

- Mark and use the power drill to drill a hole on the wall.  
- Hit hardware **03** into the wall.  
(Repeat **2** times.)



**STEP 18**

Assemble hardware **01** to **03** by using hardware **04**.  
(Repeat **2** times.)



**STEP 19**

- Connect both of the hardware **01** by using hardware **05**.  
- Tighten the hardware **05**.  
(Repeat **2** times.)

