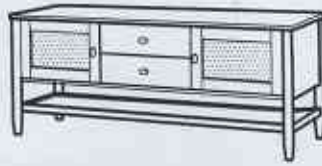


# ASSEMBLY INSTRUCTIONS / 組裝說明書

ITEM / 產品 : WINNIE TV UNIT 1800

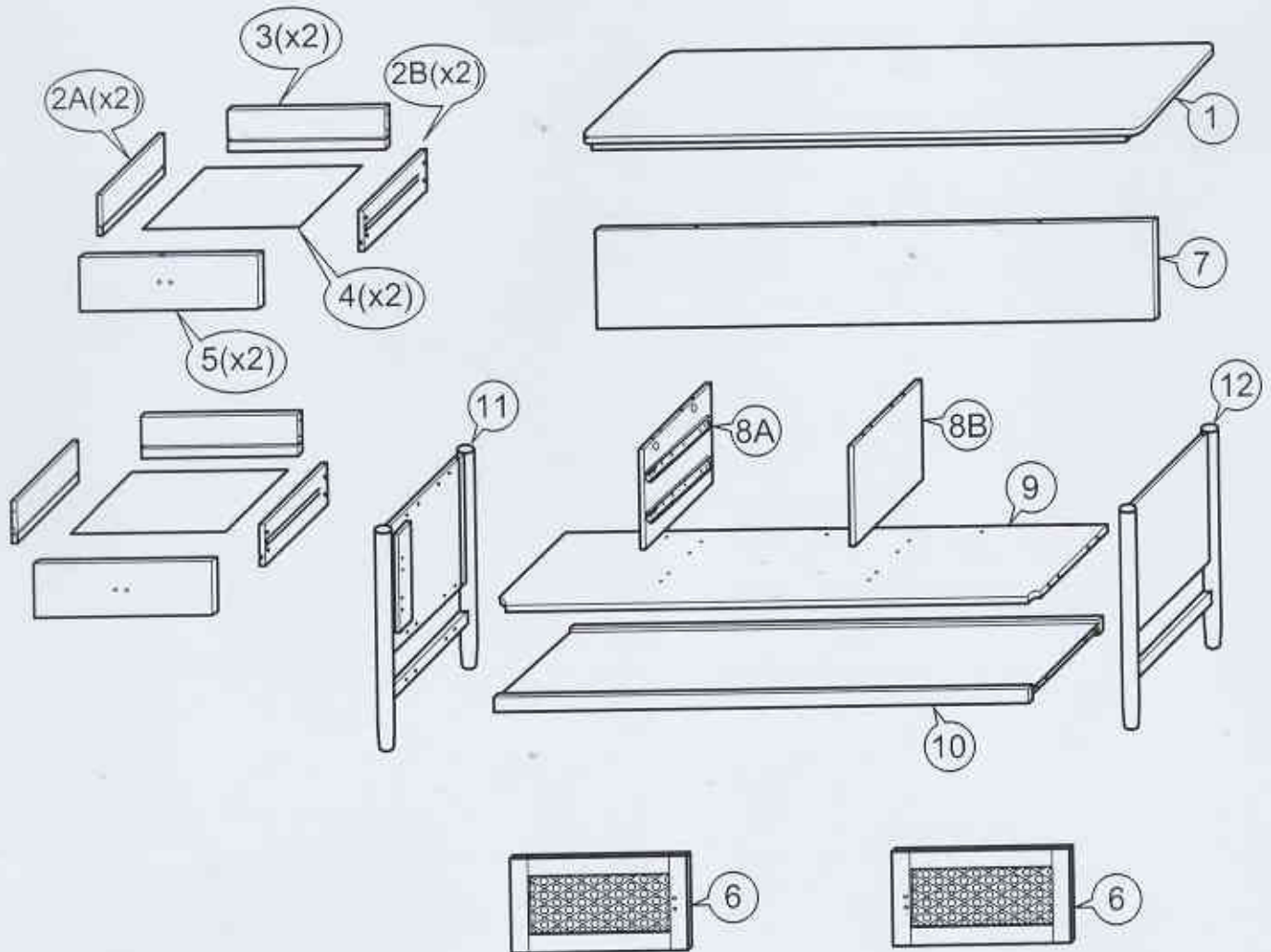


Thank you for purchasing this quality product. Please take the time to identify and count the hardware as well as the individual components with the part list below. Place the components on a clean and soft surface to protect them from damage.

感謝您購買此優質產品，請依照以下列表做對比，確認并計算所有組件。為保護產品，組裝時請將組件放在一個乾淨和柔軟的表面。

DO NOT tighten any of the bolts until the product is completely assembled, then put on a flat surface to make sure the product is level and then tighten all the bolts.

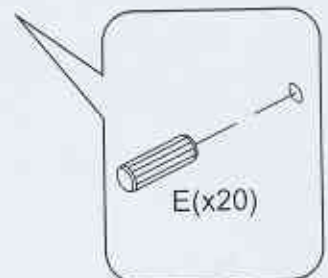
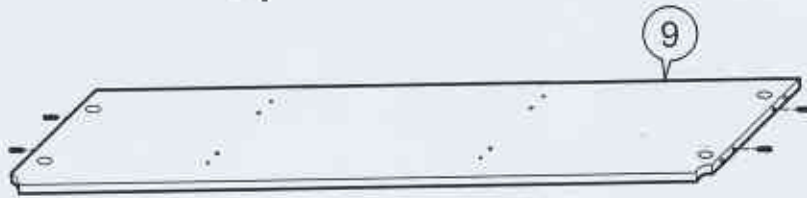
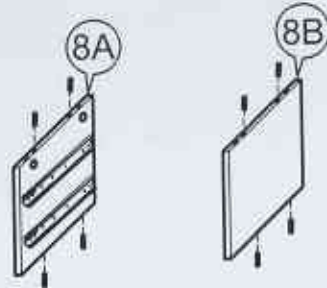
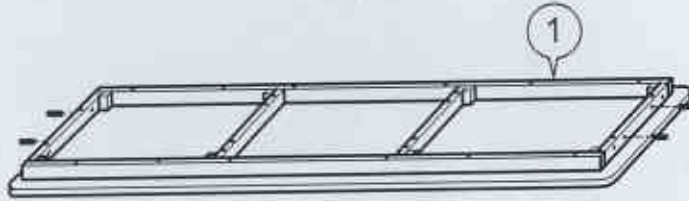
不要固定所有的螺栓，直到產品組裝好，然後放在一個平面上，以確保產品的水平位置，然後才固定所有的螺栓。



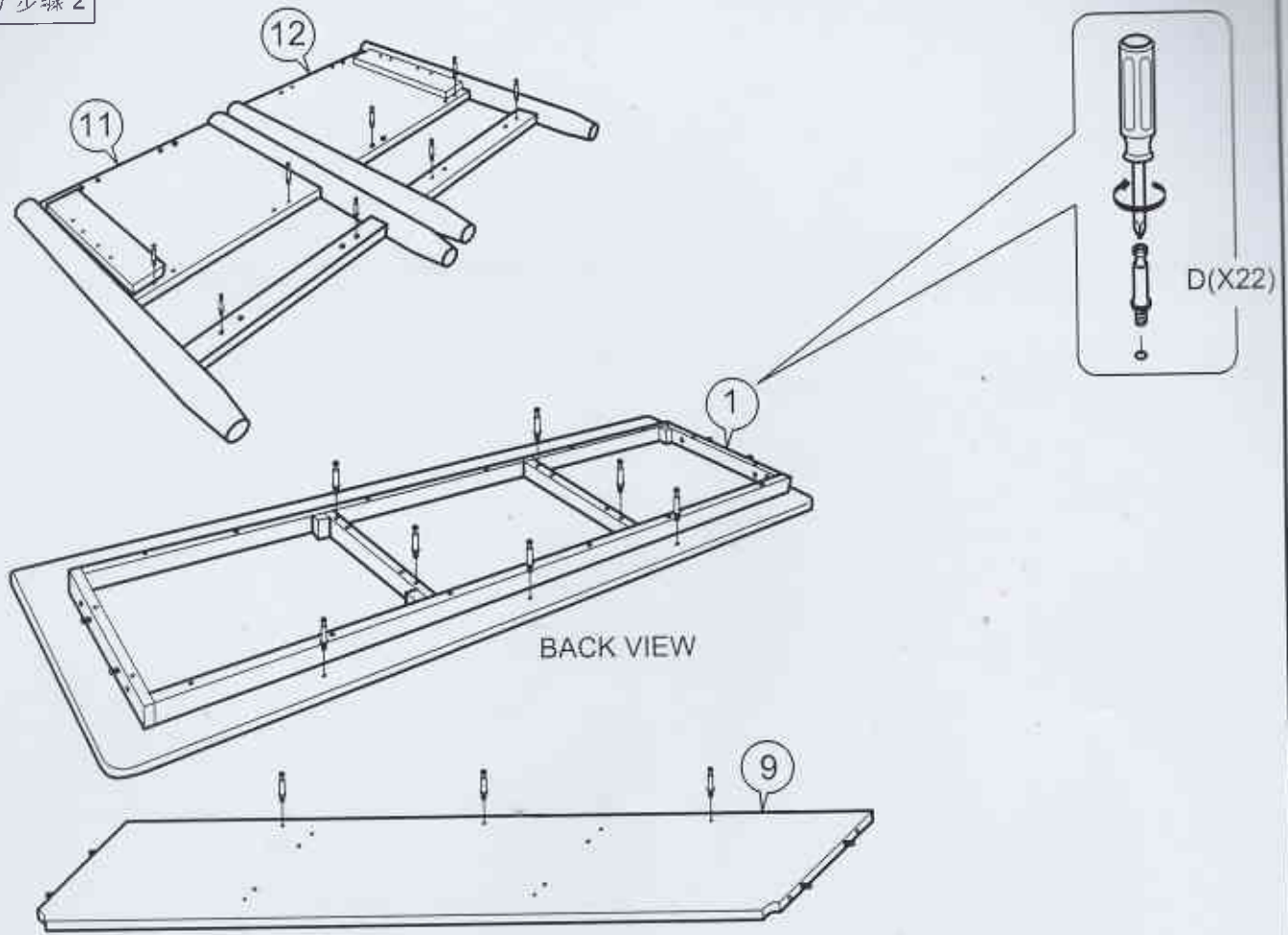
HARDWARE LIST / 五金列表：

A	M6 x 25mm = 4	E	M8 x 25mm = 20	I	M4 x 16mm = 24
B	M6 x 13mm = 4	F	#8 x 1 1/4" = 20	J	COMPO HINGE = 4 7/8"
C	12mm = 18	G	42 x 50 x 19 = 4	K	M4 x 100mm = 1
D	24mm = 18	H	= 8		

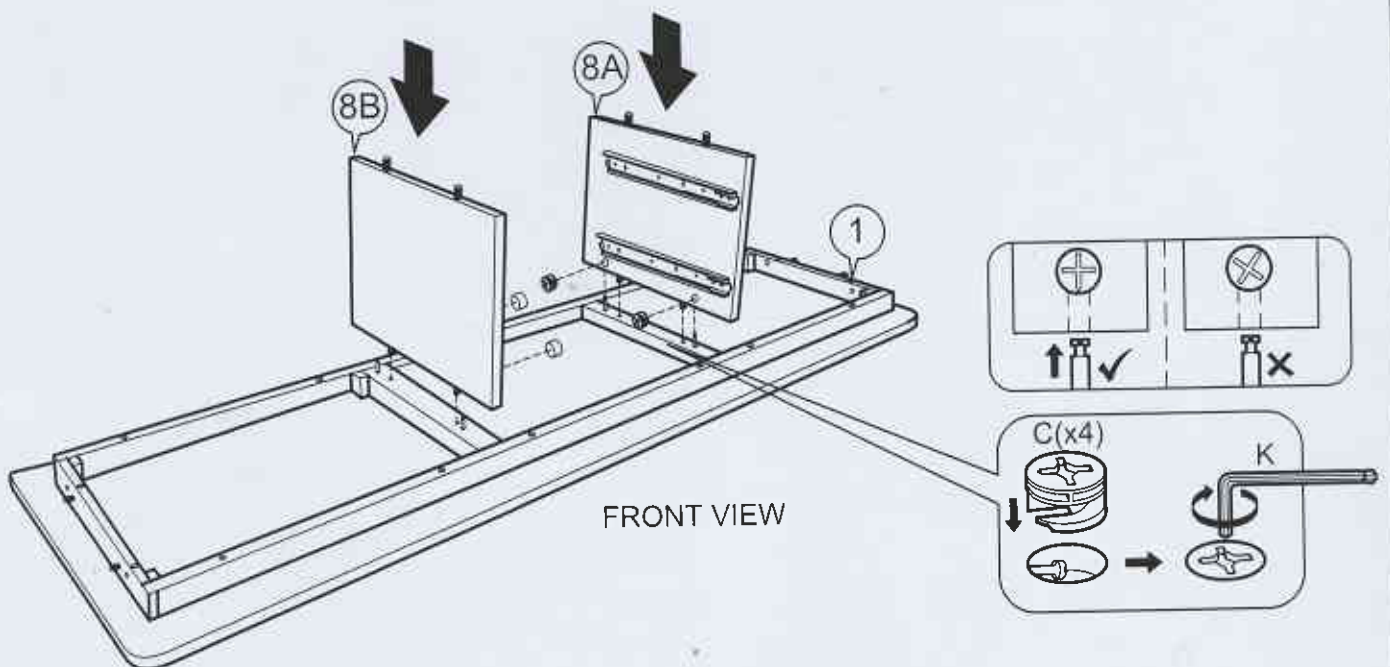
STEP 1 / 步驟 1



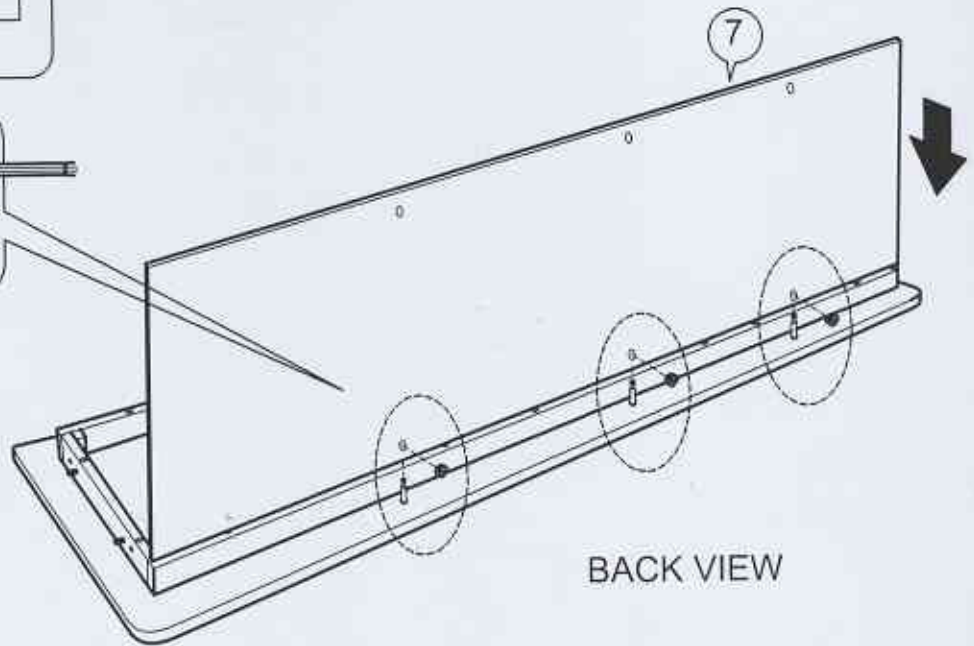
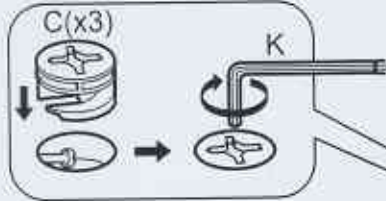
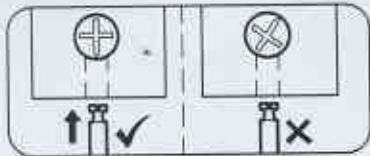
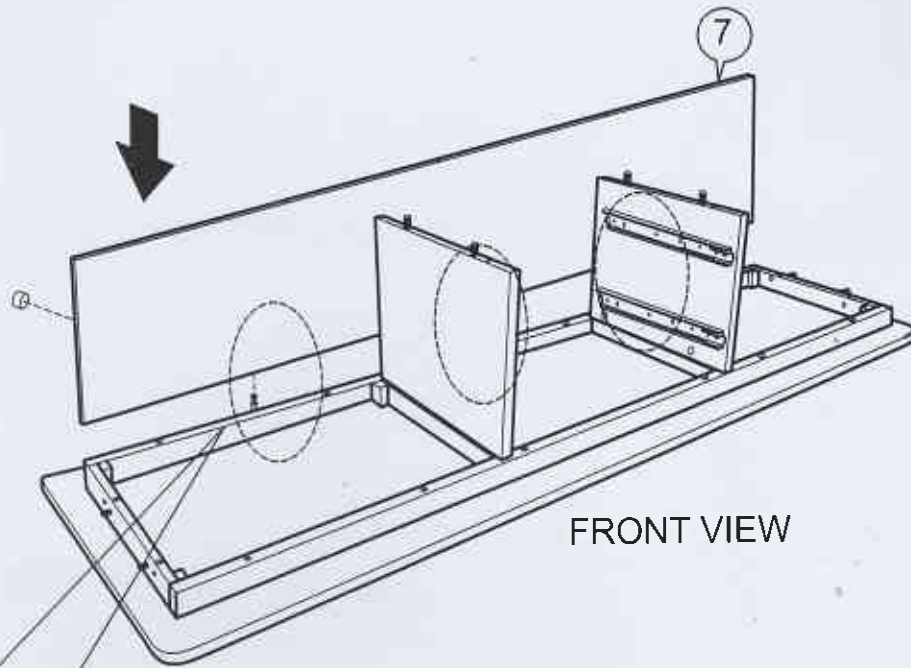
STEP 2 / 步驟 2



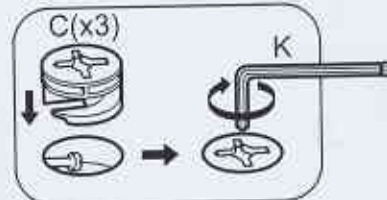
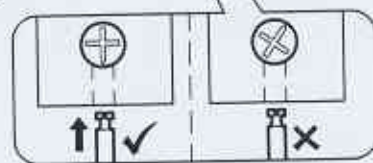
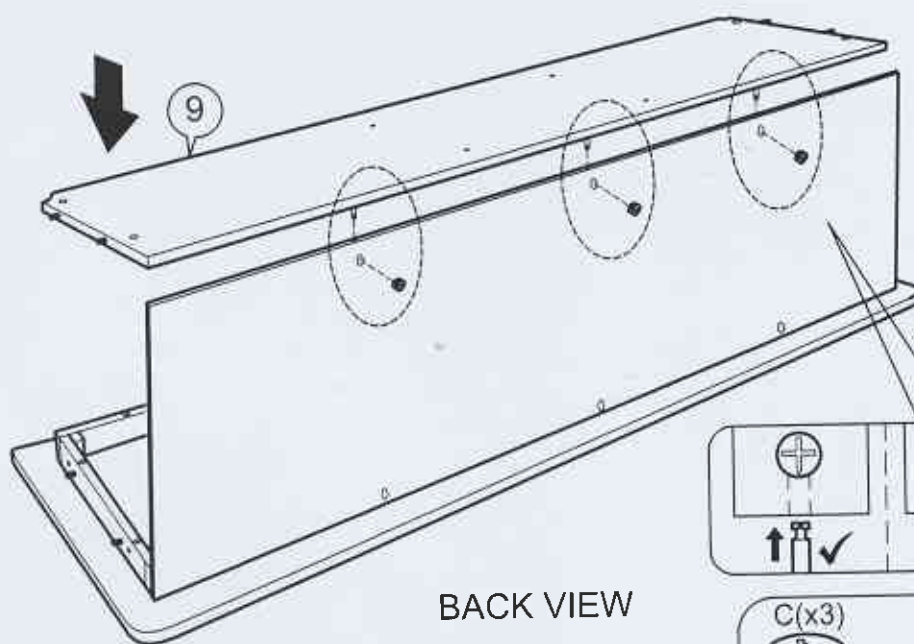
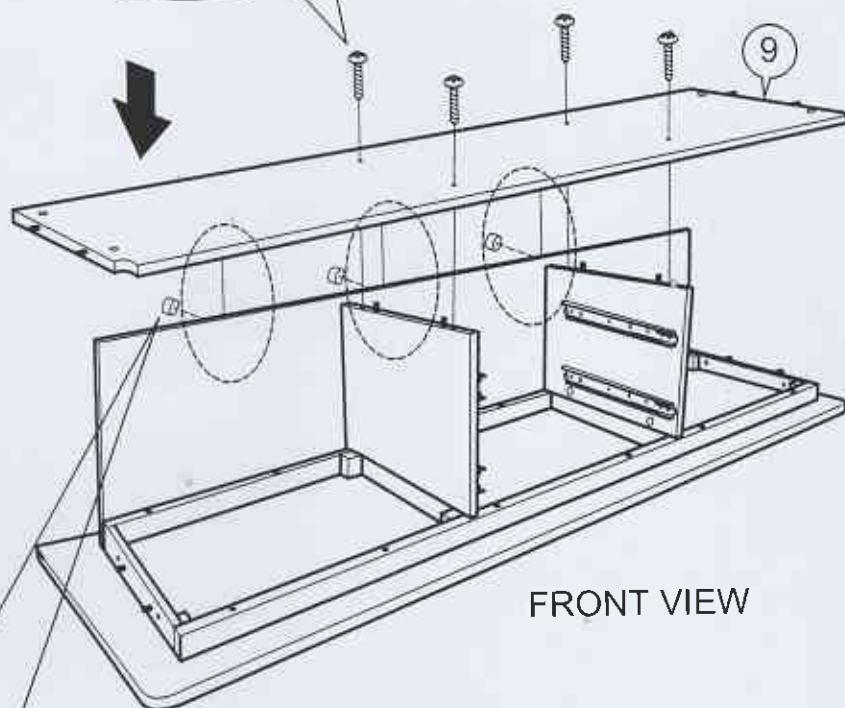
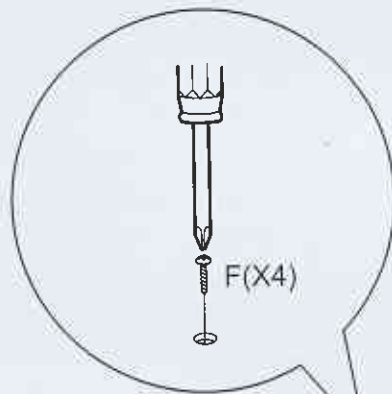
STEP 3 / 步驟 3



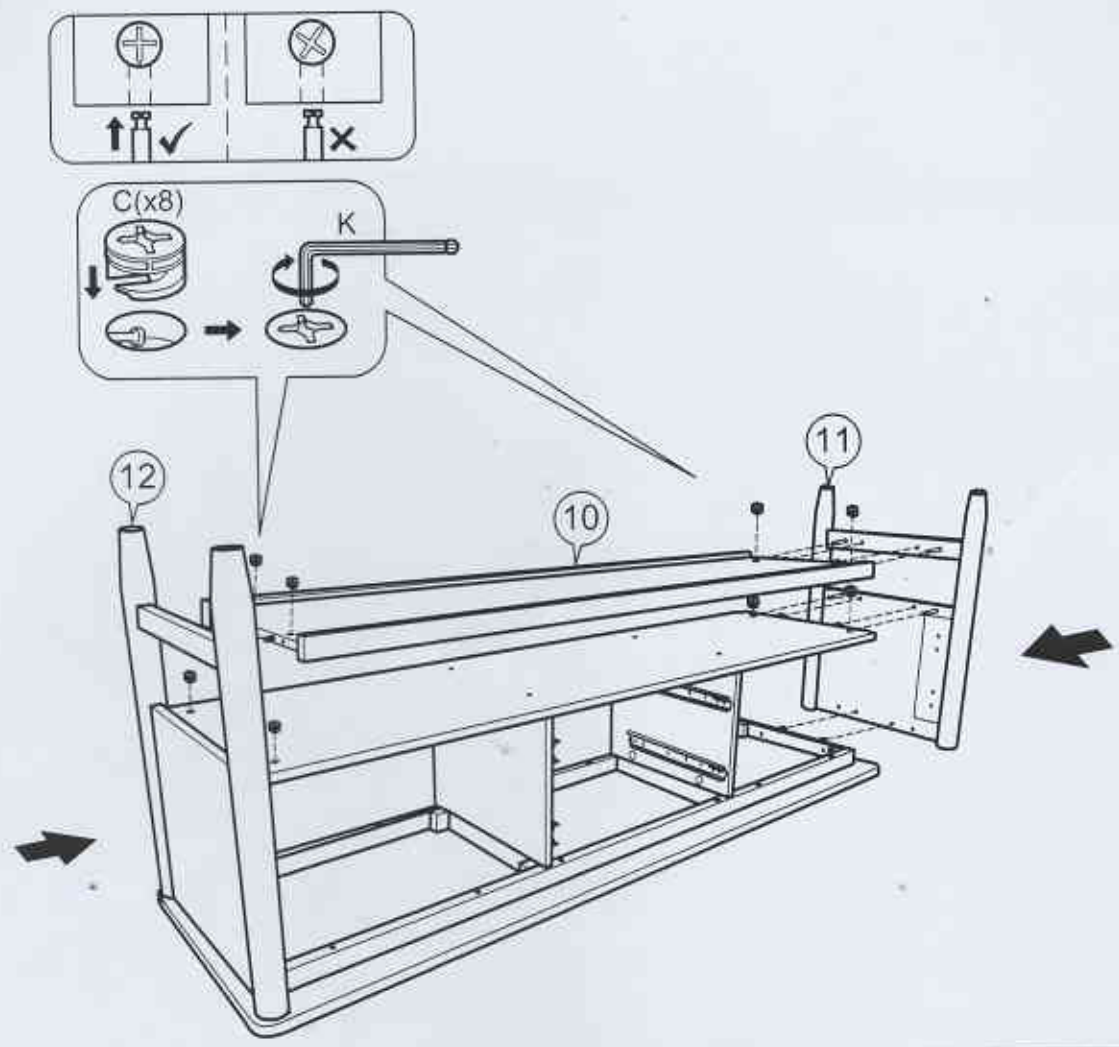
STEP 4 / 步驟 4



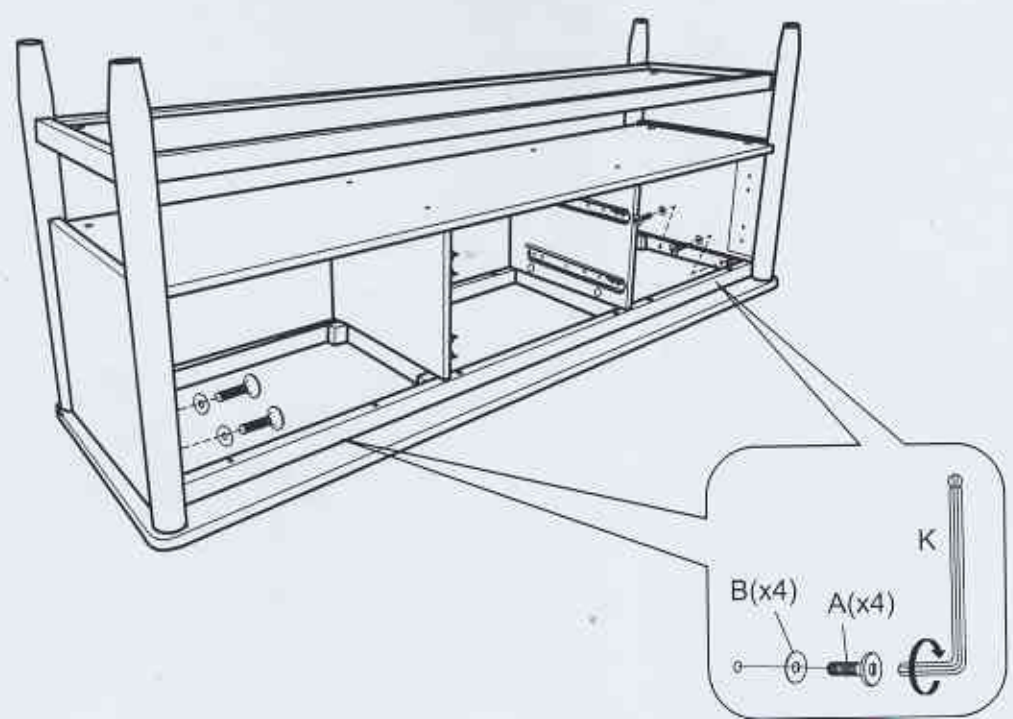
STEP 5 / 步驟 5



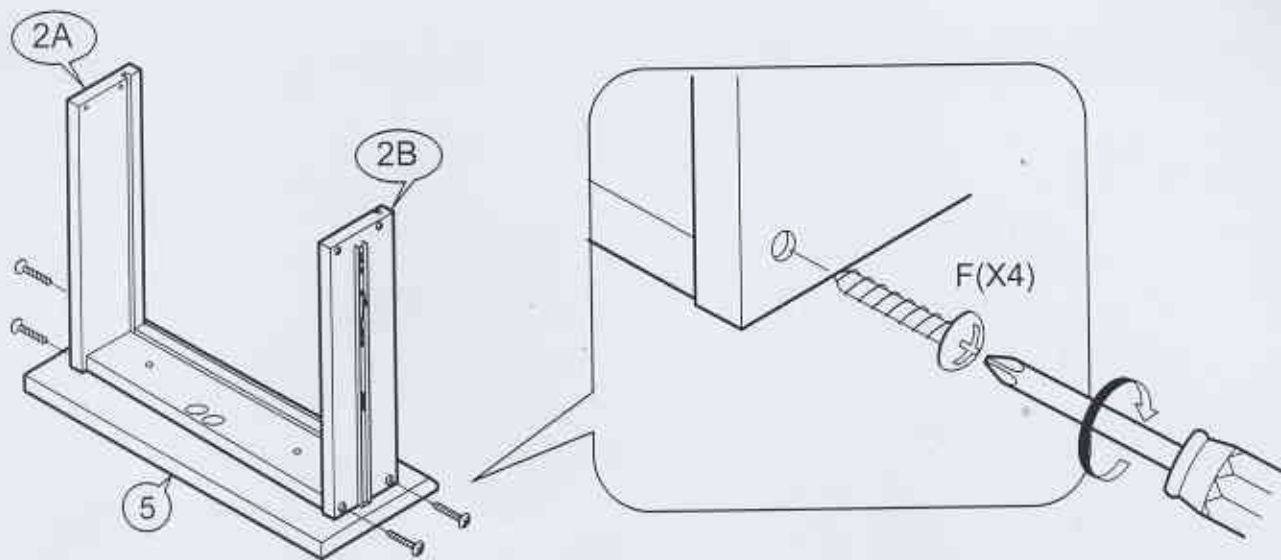
STEP 6 / 步驟 6



STEP 7 / 步驟 7

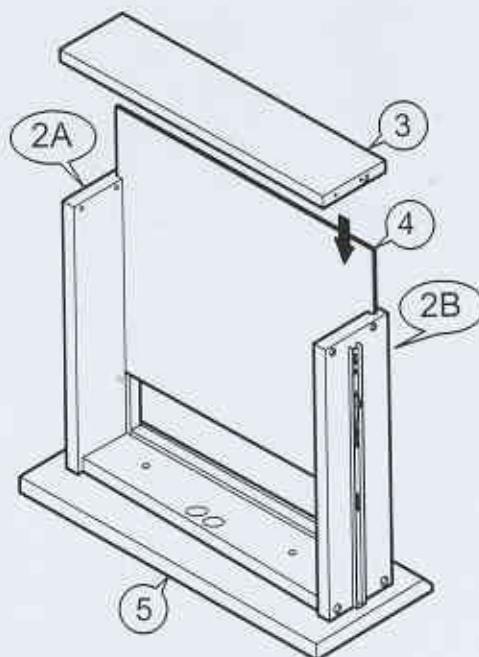


STEP 8 / 步驟 8



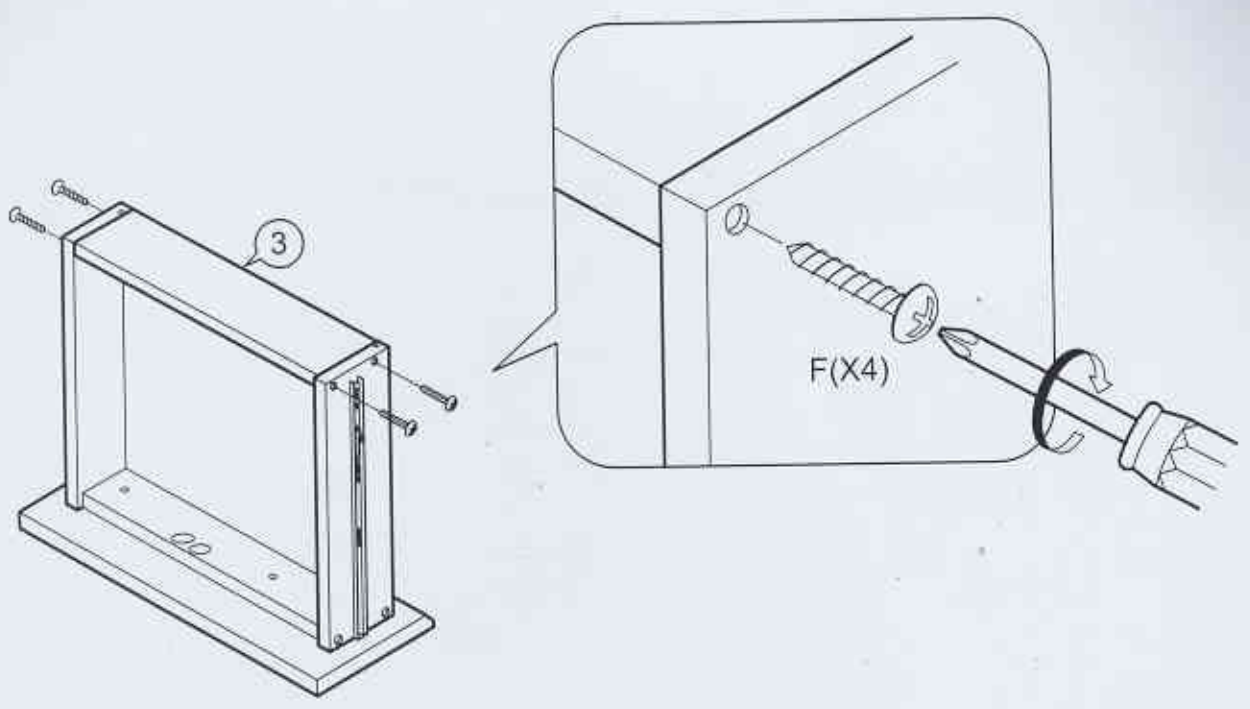
(X2)

STEP 9 / 步驟 9



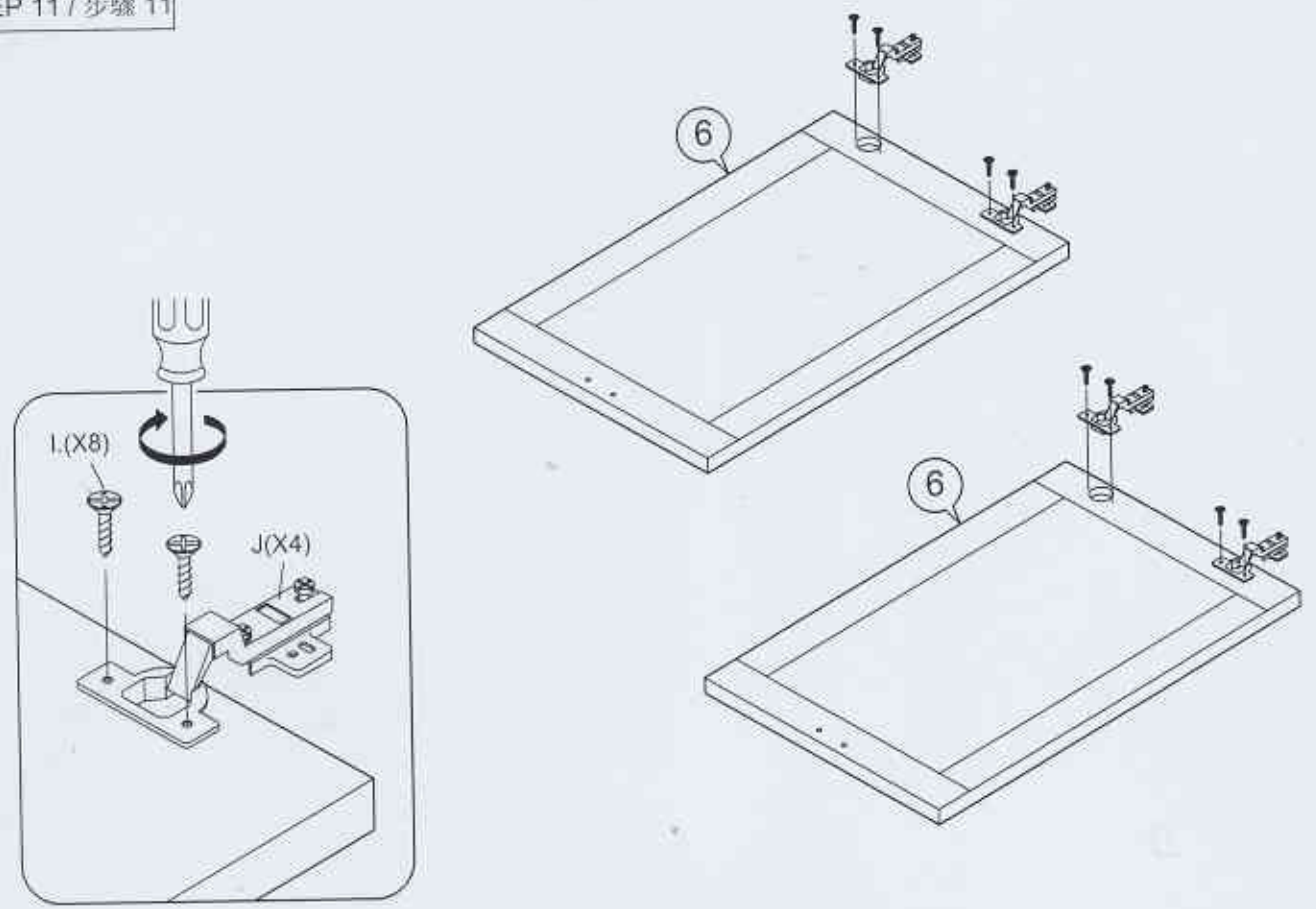
(X2)

STEP 10 / 步骤 10

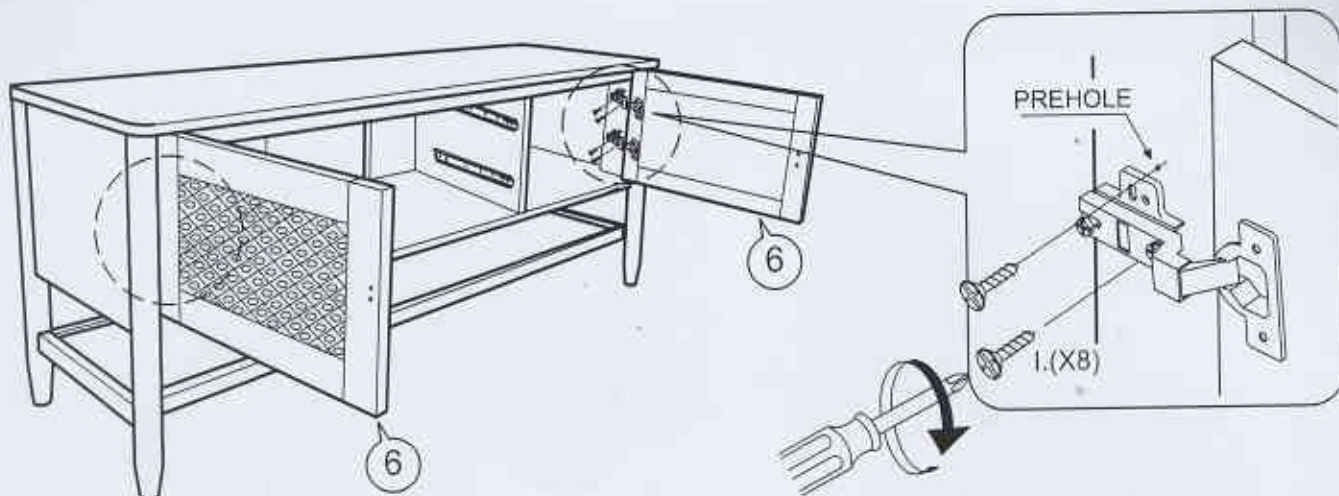


(X2)

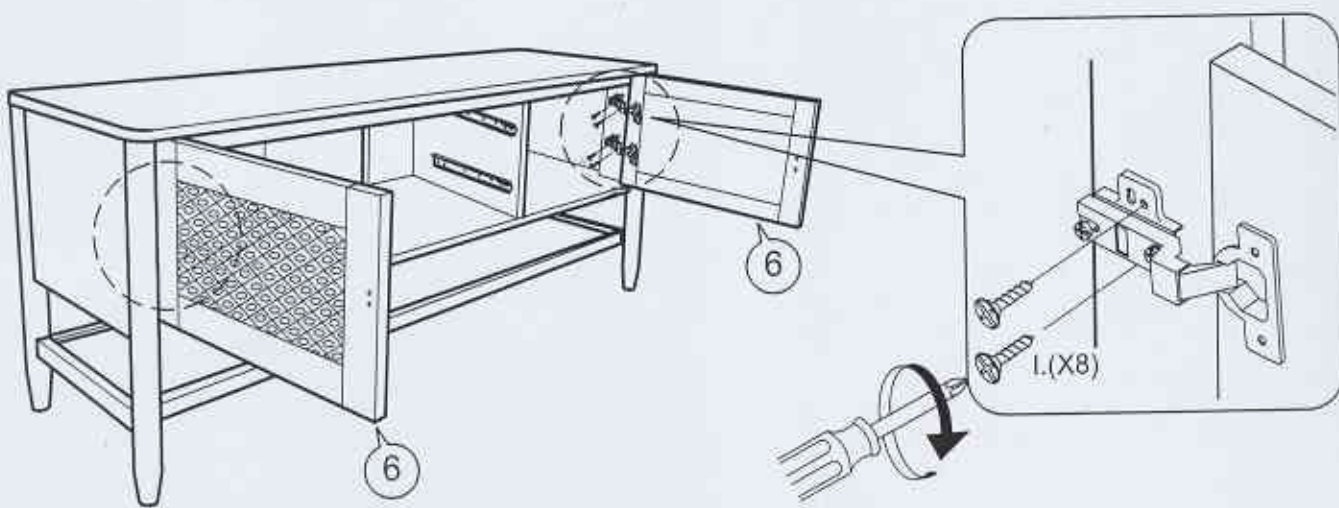
STEP 11 / 步骤 11



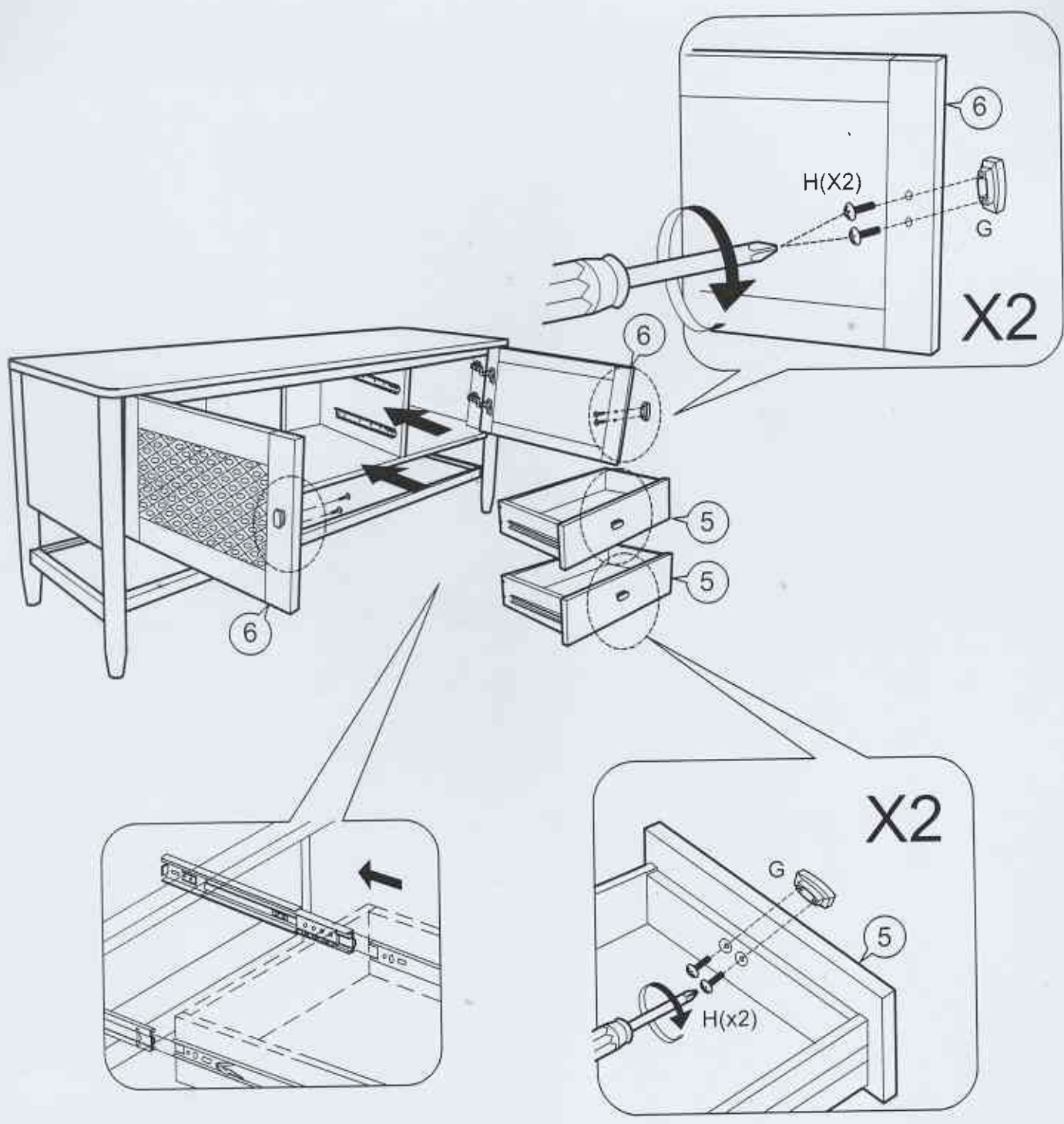
STEP 12 / 步驟 12



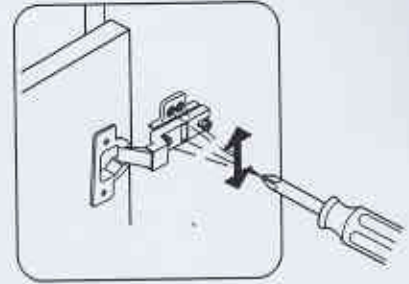
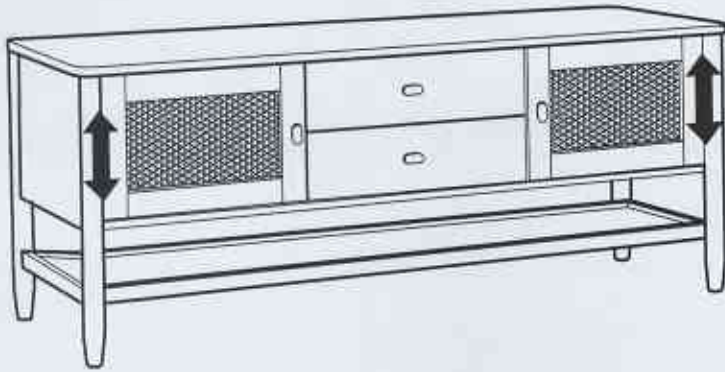
STEP 13 / 步驟 13



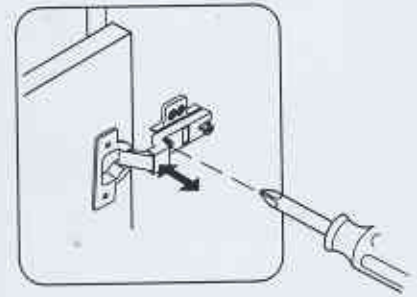
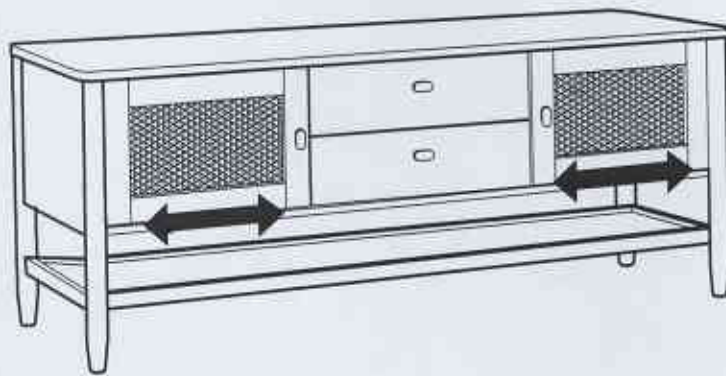
STEP 14 / 步驟 14



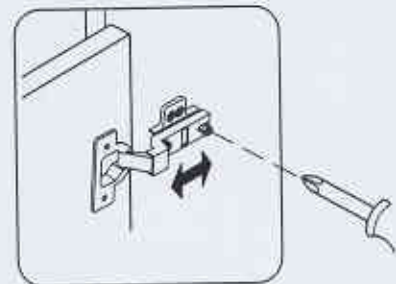
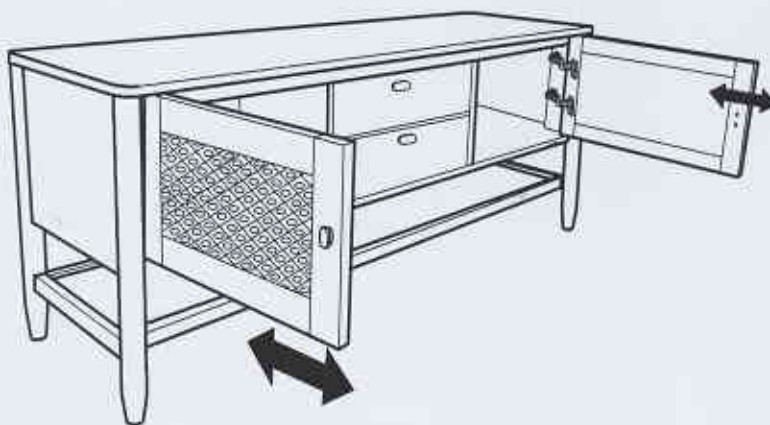
STEP 15 / 步驟 15



Vertical Height Adjustment



Side to side adjustment



Depth or binding adjustment